

SUPPORT DE PRISE VERSO COPPER

Built-in socket

Code: A000 A18

SUPPORT DE PRISE VERSO COPPER



DETAILS

Coloring Copper

Finish PVD

Material AISI 304 stainless steel

Texture Foster brushed

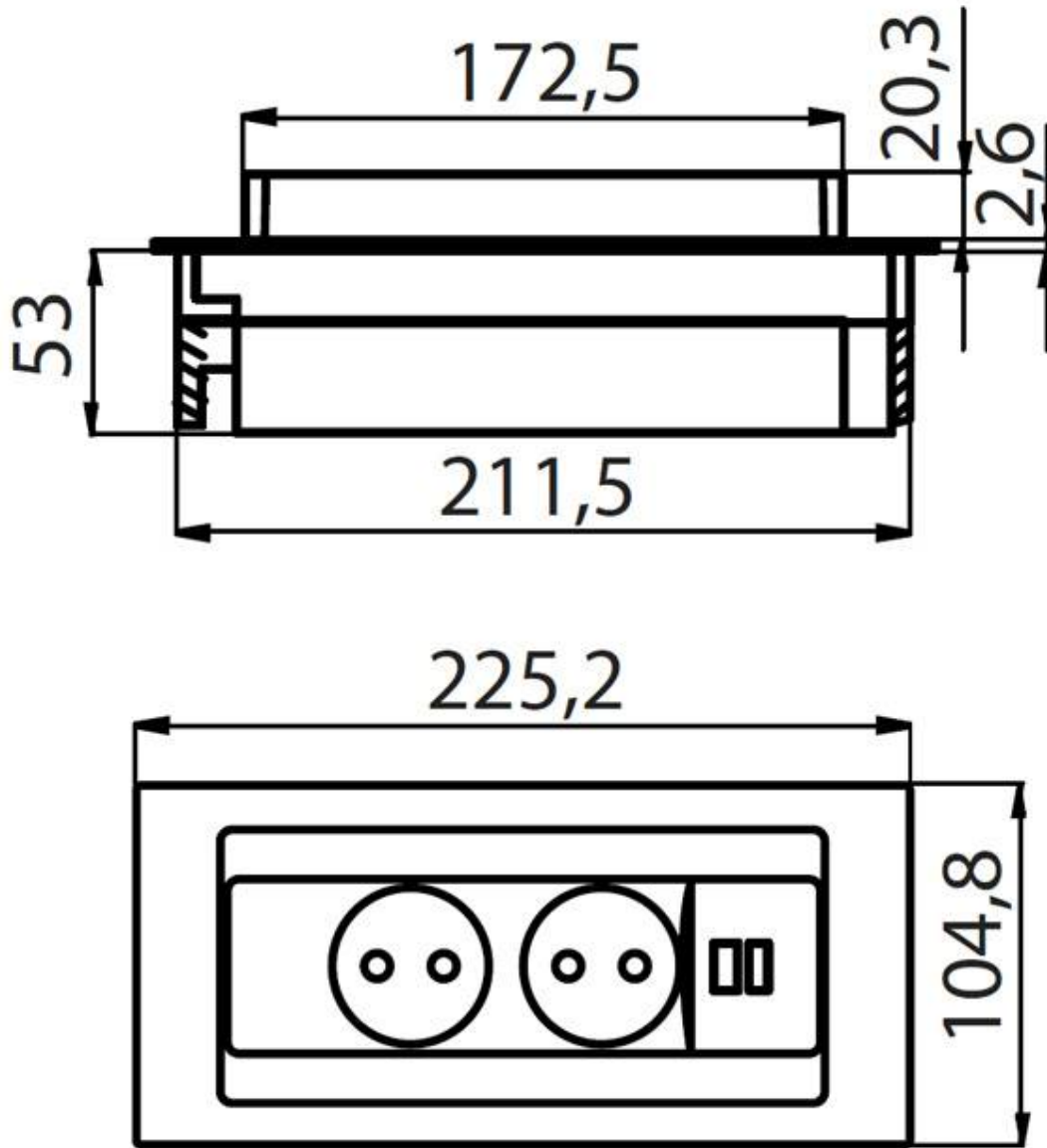
Built-in hole 215x88 mm

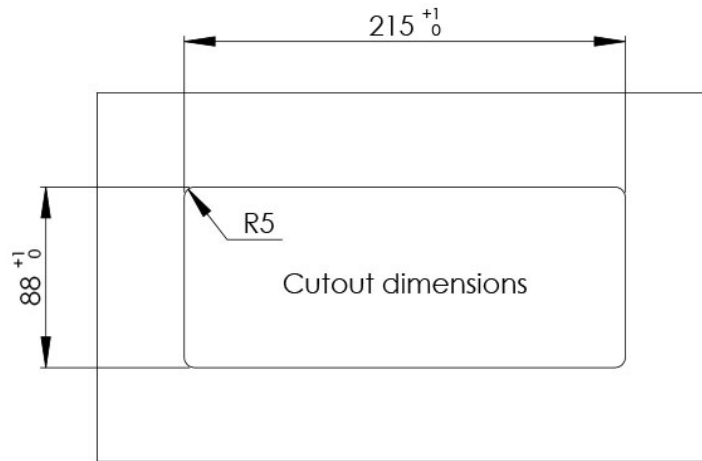
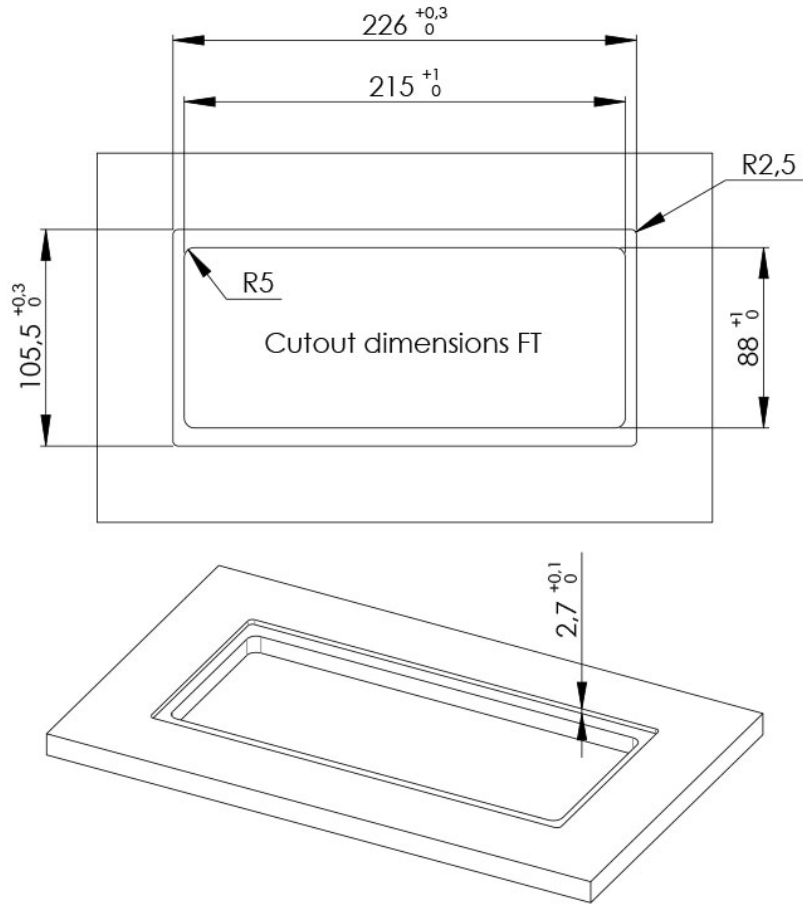
Notes: It's advisable to keep a distance of 40 cm from sinks or cooking hobs (protection index IP20)

FEATURES

Copper The Copper finish is obtained by treating steel with a physical process called PVD (Physical Vacuum Deposition) which deposits particles of noble metals on the surface. The result is a unique and refined aesthetic effect, and an improvement of the mechanical properties of the steel which is more resistant to impact and scratches.

TECHNICAL DATA





GALLERY

